

ISUZU
THE PICK-UP
PROFESSIONALS

THE NEW ISUZU D-MAX
**ALL-PURPOSE
RANGE**



ALL-PURPOSE RANGE BROCHURE

ISUZU.CO.UK

THE NEW ISUZU D-MAX

READY FOR EVERYTHING

No matter what's around the corner, The New Isuzu D-Max DL20, DL40 and V-Cross are fully prepared for every terrain.

Work ready. Life ready. On and off-road ready. Isuzu's award-winning pick-up is equipped with even smarter styling, stronger performance and safer technology. Delivering the reassuring capability and durability you expect from Isuzu, our tough workhorse takes comfort and refinement to the next level.



*5 year / 125,000 miles (whichever comes first) warranty applies to all new Isuzu D-Max models.

READY ON THE OUTSIDE

Bold, aggressive styling has gone into The New Isuzu D-Max. Revitalised with a more muscular radiator grille, hood and bumper, 18" alloy wheels and distinctive colours—including a striking new Sienna Orange hue for the V-Cross—it brings fresh attitude, and then some.

New look automatic Bi-LED headlamps with High Beam Assist and automatic windscreen wipers ensure safe and easy manoeuvring, together with front and rear parking sensors, as well as a reversing camera. Keyless entry and dark grey side steps provide convenient access, while the new tailgate design incorporates prominent triple shield taillights and a damper to aid the gentler opening of the load bed.



NEW GRILLE



NEW BI-LED HEADLAMPS



NEW REAR COMBINATION LAMPS



NEW AIR CURTAIN DESIGN

READY ON THE INSIDE

For optimal comfort, high-grade cloth and leather heated seating is complemented by a newly designed steering wheel bezel and door trim insert. The DL40 and V-Cross also enjoy an 8-way electrically adjustable driver's seat with power lumbar support.

Viewed on a 9" touchscreen*, the updated, fully wireless infotainment system features DAB, Bluetooth®, Apple CarPlay™ and Android Auto™, as well as a new digital 7" driver display**.

Further enhancements to improve your journey include a new Digital Reversing Camera, Traffic Sign Recognition (TSR) and Tyre Pressure Monitoring System (TPMS) updates, Dual-zone climate control**, and updated USB C ports for passenger convenience. The roomy cabin can also be set up for any expedition with flat folding rear seats and several storage spaces.



*Improved 8" on DL20 & DL40. **DL40 & V-Cross exclusive.

ADVANCED DRIVER ASSIST SYSTEMS (ADAS) ENHANCEMENTS



REDESIGNED STEREO CAMERA COVER

For better protection, and added heater to improve visibility when windshield steams up.



IMPROVED TARGET RECOGNITION

Identifies pedestrians, cyclists, motorcycles and other vehicles with greater speed and accuracy.



HORIZONTAL FIELD OF VIEW INCREASE

From 40 to 120 degrees (distance increase from 120m to 150m).



IMPROVED AUTO EMERGENCY BRAKING

Predictability feature added on turn assist irrespective of turn signal being on or off.



NEW INTELLIGENT ADAPTIVE CRUISE CONTROL (IACC)

Uses speed limit information to set adaptive cruise control speed, and when vehicle is in reverse, travelling at less than 10km/h.



NEW TRAFFIC SIGN RECOGNITION (TSR) FUNCTIONS

- Motorway / expressway
- Shared precinct
- Give way
- Stop

ATTENTION ASSIST

Uses sensors to learn about your driving habits and can detect if driver fatigue is causing you to lose focus behind the wheel.

AT PEDAL MISAPPLICATION MITIGATION²

Will suppress engine torque and issue a visual and audible warning if the driver suddenly accelerates in front of an object.

AUTONOMOUS EMERGENCY BRAKING

Automatically applies the brakes to either prevent an accident or reduce the severity of an impact depending on speed.

BLIND SPOT MONITOR¹

Detects vehicles in the driver's blind spot and alerts via an orange warning light in the door mirror.

EMERGENCY LANE KEEPING

If there is a vehicle in the driver's blind spot when changing lanes, the system will adjust the steering direction to prevent the lane change and avoid the collision.



BLIND SPOT MONITOR¹

FORWARD COLLISION WARNING

Monitors the road ahead and alerts the driver of a potential collision.

INTELLIGENT ADAPTIVE CRUISE CONTROL

Enables the driver to set both the desired speed and the distance to the car in front. Allows to automatically set the speed target in conjunction with Traffic Sign Recognition system.

INTELLIGENT SPEED LIMITER

Keeps vehicle speed below the speed limit of the road it is travelling along.

LANE DEPARTURE PREVENTION

Adjusts steering direction to help prevent lane departure if the vehicle is about to depart its lane without indicating.

LANE DEPARTURE WARNING

Alerts the driver if they are about to drift out of their lane.



REAR RADAR¹

LANE KEEP ASSIST

Detects lane markings and makes necessary steering adjustment to help keep the vehicle in its lane.

REAR CROSS TRAFFIC ALERT & BRAKING¹

Detects vehicles approaching from the left or right while reversing out of a parking space with emergency braking system.

TRAFFIC JAM ASSIST

Used in conjunction with Intelligent Adaptive Cruise Control, the assistance system helps drivers navigate traffic jams.

TRAFFIC SIGN RECOGNITION

Reads standard road signs ahead and displays any change in speed limit on the Multi-Information Display.

TURN ASSIST

If the stereo camera detects a potential collision with an oncoming vehicle or pedestrian while turning at an intersection, the system automatically engages the brakes.



STEREO CAMERA

ALL SET FOR ALL TERRAIN

Our all-purpose range is ready and able in every environment. Towing up to 3.5 tonnes, the diesel engine generates 360Nm of torque and 164PS when paired with a 6-speed manual or automatic transmission. Sensors detect trailer swing and lower speed if any sway is identified, while the refined suspension improves ride quality without compromising a payload of more than one tonne.

Each model also sports the latest generation of Rough Terrain Mode (RTM), an off-road traction control aid that works with the Rear Differential Lock to maximise torque-transfer and driveability. It modulates brake force to individual wheels when slip is detected and proportions torque to the wheels with the most grip, enabling you to tackle the steepest, rockiest surfaces.

The capabilities don't stop there. Equipped with a 4WD Shift-On-The-Fly system, and wading depth of up to 800mm, it's all built on a sturdy ladder chassis with underbody protection coverings. That's why the D-Max comes with an impressive 5-year, 125,000-mile warranty.



READY TO GO

An all-round go-getter, the DL20 makes hard work look easy.



Available in double cab and extended cab variants.

THE NEW ISUZU D-MAX

DL20



EXTERIOR

- New Design Black & Medium Grey Radiator Grille
- New Design Halogen Headlights
- New 18" Silver Alloy Wheels
- Automatic Headlights with High Beam Assist
- Full Size Spare Wheel
- Front Fog Lights
- Automatic Windscreen
- Wipers with Rain Sensor
- Tailgate Damper*
- Body Coloured Front Bumper
- Body Coloured Rear Bumper with Integrated Step
- Body Coloured and Heated Door Mirrors

INTERIOR

- New High Grade Cloth Upholstery
- 6-Way Adjustable Driver's Seat (Manual)
- Driver's Seat Lumbar Support
- Heated Front Seats
- Front Centre Armrest
- Front Cup Holders
- Height Adjustable Headrests
- Driver's Foot Rest
- Carpet Floor Trim

ENTERTAINMENT

- New 8" Multifunction Colour Touchscreen
- Wireless Apple CarPlay™ & Android Auto™
- DAB Radio
- Bluetooth® Connectivity
- Front USB C Port
- Rear USB C Port*
- Four Speakers

COMFORT & CONVENIENCE

- Updated 4.2" Multi-Information Display
- Remote Control Central Locking
- Manual Air Conditioning
- Height & Reach Adjustable Steering Wheel
- Steering Wheel Mounted Audio & Cruise Controls
- Follow Me Home Light
- Rear Heating Ducts

SAFETY & SECURITY

- 4WD Shift-On-The-Fly
- Rear Parking Sensors
- Rough Terrain Mode
- Tyre Pressure Monitoring System
- Advanced Driver Assist Systems (ADAS)
- Rear Differential Lock
- Reversing Camera
- Hill Start Assist
- Hill Descent Control
- Speed-Sensitive Power Steering
- Stop & Start System*

READY FOR ACTION

The DL40 is more than capable and ready to deliver on every level.



THE NEW ISUZU D-MAX

DL40



EXTERIOR

- New Design Dark Grey & Chrome Radiator Grille
- New Design Bi-LED Headlights
- New 18" Two Tone Alloy Wheels
- LED Rear Combination Lamp
- Automatic Headlights with High Beam Assist
- Chrome Exterior Styling
- Silver Side Steps
- Tailgate Damper

INTERIOR

- Leather Upholstery*
- Driver's Seat Lumbar Support (Power)
- Heated Front Seats
- 8-Way Adjustable Driver's Seat (Electric)
- Leather Steering Wheel

ENTERTAINMENT

- New 8" Multifunction Colour Touchscreen
- Wireless Apple CarPlay™ & Android Auto™
- Front USB C Port
- Rear USB C Port
- Six Speakers
- DAB Radio
- Bluetooth® Connectivity

COMFORT & CONVENIENCE

- New 7" Multi-Information Display
- Steering Wheel Mounted Audio & Cruise Controls
- Keyless Entry & Push Button Start System
- Welcome Home Light
- Follow Me Home Light
- Dual Zone Climate Control
- Rear Ventilation Panel
- Driver & Passenger Sun Visors with Vanity Mirror

SAFETY & SECURITY

- 4WD Shift-On-The-Fly
- Reversing Camera
- Rough Terrain Mode
- Tyre Pressure Monitoring System
- Advanced Driver Assist Systems (ADAS)
- Rear Differential Lock
- Front & Rear Parking Sensors
- Hill Start Assist
- Hill Descent Control
- Speed-Sensitive Power Steering
- Stop & Start System**

READY TO STAND OUT

Command attention with the imposing
and impossible to ignore V-Cross.



THE NEW ISUZU D-MAX

V-CROSS



EXTERIOR

- New Design Two Tone Dark Grey Radiator Grille
- New Design Bi-LED Headlights
- New 18" Tough Style Matt Dark Grey Alloy Wheels
- LED Rear Combination Lamp
- New Design Tailgate Damper with V-Cross Branding
- Dark Grey Side Steps

INTERIOR

- Leather Upholstery*
- Driver's Seat Lumbar Support (Power)
- Heated Front Seats
- 8-Way Adjustable Driver's Seat (Electric)
- Leather Steering Wheel
- V-Cross Branded Carpet Mats

ENTERTAINMENT

- Updated 9" Multifunction Colour Touchscreen
- Wireless Apple CarPlay™ & Android Auto™
- 2 x Front USB C Ports
- Rear USB C Port
- Eight Speakers
- DAB Radio
- Bluetooth® Connectivity

COMFORT & CONVENIENCE

- New 7" Multi-Information Display
- Steering Wheel Mounted Audio & Cruise Controls
- Keyless Entry & Push Button Start System
- Welcome Home Light
- Follow Me Home Light
- Dual Zone Climate Control
- Rear Ventilation Panel
- Driver & Passenger Sun Visors with Illuminated Vanity Mirror
- Auto Dimming Rear View Mirror

SAFETY & SECURITY

- 4WD Shift-On-The-Fly
- Rough Terrain Mode
- Tyre Pressure Monitoring System
- Reversing Camera
- Advanced Driver Assist Systems (ADAS)
- Rear Differential Lock
- Front & Rear Parking Sensors
- Hill Start Assist
- Hill Descent Control
- Speed-Sensitive Power Steering
- Stop & Start System**

| EXTERIOR | DL20 EXTENDED | DL20 DOUBLE | DL40 | V-CROSS |
|---|---------------|-------------|------|---------|
| New Design Halogen Headlights | ■ | ■ | - | - |
| New Design Bi-LED Headlights | - | - | ■ | ■ |
| Halogen Daytime Running Lights | ■ | ■ | - | - |
| LED Daytime Running Lights | - | - | ■ | ■ |
| Automatic Headlights | ■ | ■ | ■ | ■ |
| Automatic Headlight Levelling | - | - | - | ■ |
| High Beam Assist | ■ | ■ | ■ | ■ |
| LED Rear Combination Lamp | - | - | ■ | ■ |
| Halogen Front Fog Lights | ■ | ■ | - | - |
| LED Front Fog Lights | - | - | ■ | ■ |
| Rear Fog Lights | ■ | ■ | ■ | ■ |
| Automatic Windscreen Wipers with Rain Sensor | ■ | ■ | ■ | ■ |
| Heated Rear Screen | ■ | ■ | ■ | ■ |
| New Design Two Tone Black & Medium Grey Radiator Grille | ■ | ■ | - | - |
| New Design Two Tone Dark Grey & Chrome Radiator Grille | - | - | ■ | - |
| New Design Two Tone Dark Grey Radiator Grille | - | - | - | ■ |
| Body Coloured Front Bumper | ■ | ■ | - | - |
| Body Coloured Rear Bumper with Integrated Step | ■ | ■ | ■ | ■ |
| Two Tone Silver Side Steps | - | - | ■ | - |
| Dark Grey Side Steps | - | - | - | ■ |
| Folding, Heated, Body-Coloured Door Mirrors with Side Indicator Repeaters | ■ | ■ | - | - |
| Folding, Heated, Chrome Door Mirrors with Side Indicator Repeaters | - | - | ■ | - |
| Folding, Heated, Dark Grey Door Mirrors with Side Indicator Repeaters | - | - | - | ■ |
| Silver Door Handles | ■ | ■ | - | - |
| Chrome Door Handles | - | - | ■ | - |
| Dark Grey Door Handles | - | - | - | ■ |
| Integrated Fuel Filler Cap with AdBlue | ■ | ■ | ■ | ■ |
| Tailgate Damper | ■ | ■ | ■ | ■ |
| WHEELS | | | | |
| New Design 18" Silver Alloy Wheels | ■ | ■ | - | - |
| New Design 18" Two Tone Alloy Wheels | - | - | ■ | - |
| New Design 18" Tough Style Matt Dark Grey Alloy Wheels | - | - | - | ■ |
| Locking Wheel Nuts | ■ | ■ | ■ | ■ |
| Full Size Spare Wheel | ■ | ■ | ■ | ■ |

| INTERIOR | DL20 EXTENDED | DL20 DOUBLE | DL40 | V-CROSS |
|--|---------------|-------------|------|---------|
| New High Grade Cloth Upholstery | ■ | ■ | - | - |
| Leather Upholstery ¹ | - | - | ■ | ■ |
| 6-Way Adjustable Driver's Seat (Manual) | ■ | ■ | - | - |
| 8-Way Adjustable Driver's Seat (Electric) | - | - | ■ | ■ |
| Driver's Seat Lumbar Support (Manual) | ■ | - | - | - |
| Driver's Seat Lumbar Support (Power) | - | ■ | ■ | ■ |
| Heated Front Seats | ■ | ■ | ■ | ■ |
| Front Seatback Map Pockets | ■ | ■ | ■ | ■ |
| Flat Folding Rear Seats | - | ■ | ■ | ■ |
| 60/40 Folding Seat Base | - | ■ | ■ | ■ |
| Under Seat Base Storage | ■ | ■ | ■ | ■ |
| Height Adjustable Front Headrests | ■ | ■ | ■ | ■ |
| Height Adjustable Rear Headrests | - | ■ | ■ | ■ |
| Front Centre Armrest | ■ | ■ | ■ | ■ |
| Front Cup Holders (Centre Console & Dash - Driver & Passenger Sides) | ■ | ■ | ■ | ■ |
| Front Door Pockets with Bottle Holder | ■ | ■ | ■ | ■ |
| Rear Centre Armrest with Cup Holders | - | ■ | ■ | ■ |
| Rear Door Pockets with Bottle Holder | - | ■ | ■ | ■ |
| Leather Steering Wheel | - | - | ■ | ■ |
| Driver's Foot Rest | ■ | ■ | ■ | ■ |
| Carpet Floor Trim | ■ | ■ | ■ | ■ |
| V-Cross Branded Carpet Mats | - | - | - | ■ |
| ENTERTAINMENT | | | | |
| New 8" Multifunction Colour Touchscreen | ■ | ■ | ■ | - |
| Updated 9" Multifunction Colour Touchscreen | - | - | - | ■ |
| Bluetooth® Connectivity | ■ | ■ | ■ | ■ |
| DAB Radio | ■ | ■ | ■ | ■ |
| Wireless Apple CarPlay™ & Android Auto™ | ■ | ■ | ■ | ■ |
| Four Speakers | ■ | ■ | - | - |
| Six Speakers | - | - | ■ | - |
| Eight Speakers | - | - | - | ■ |
| Front USB C Port | ■ | ■ | ■ | - |
| 2 x Front USB C Ports | - | - | - | ■ |
| Rear USB C Port | - | ■ | ■ | ■ |

¹Leather and other materials. ²Driver side has auto up/down function, with pinch protection and timer. ³ADAS are driving support systems which may not operate optimally under all driving conditions or for all objects. The driver is always responsible for safe and attentive driving and observance of traffic regulations. See Owner's Manual for complete details on system operation and limitations. ⁴Manual & Intelligent Speed Limiter.

| COMFORT & CONVENIENCE | DL20 EXTENDED | DL20 DOUBLE | DL40 | V-CROSS |
|--|---------------|-------------|------|---------|
| Remote Control Central Locking | ■ | ■ | ■ | ■ |
| Welcome Light | - | - | ■ | ■ |
| Follow Me Home Light | ■ | ■ | ■ | ■ |
| Keyless Entry & Push Button Start System | - | - | ■ | ■ |
| Power Windows (Front Only) ² | ■ | - | - | - |
| Power Windows (Front & Rear) ² | - | ■ | ■ | ■ |
| Sunglasses Holder & Overhead Console | ■ | ■ | ■ | ■ |
| Map Lights | ■ | ■ | ■ | ■ |
| Driver & Passenger Sun Visors | ■ | ■ | - | - |
| Driver & Passenger Sun Visors with Vanity Mirror | - | - | ■ | - |
| Driver & Passenger Sun Visors with Illuminated Vanity Mirror | - | - | - | ■ |
| Auto Dimming Rear View Mirror | - | - | - | ■ |
| Height & Reach Adjustable Steering Wheel | ■ | ■ | ■ | ■ |
| Steering Wheel Mounted Audio & Cruise Controls | ■ | ■ | ■ | ■ |
| 12-Volt Power Outlet | ■ | ■ | ■ | ■ |
| Gear Shift Indicator (Manual Only) | ■ | ■ | ■ | ■ |
| Updated 4.2" Multi-Information Display | ■ | ■ | - | - |
| New 7" Multi-Information Display | - | - | ■ | ■ |
| CLIMATE CONTROL | | | | |
| Manual Air Conditioning | ■ | ■ | - | - |
| Dual Zone Climate Control | - | - | ■ | ■ |
| Rear Heating Ducts | ■ | ■ | - | - |
| Rear Ventilation Panel | - | - | ■ | ■ |
| ADVANCED DRIVER ASSIST SYSTEMS³ | | | | |
| Attention Assist | ■ | ■ | ■ | ■ |
| AT Pedal Misapplication Mitigation (Auto Only) | - | ■ | ■ | ■ |
| Autonomous Emergency Braking | ■ | ■ | ■ | ■ |
| Blind Spot Monitor | - | ■ | ■ | ■ |
| Emergency Lane Keeping | ■ | ■ | ■ | ■ |
| Forward Collision Warning | ■ | ■ | ■ | ■ |
| Intelligent Adaptive Cruise Control | ■ | ■ | ■ | ■ |
| Intelligent Speed Limiter ⁴ | ■ | ■ | ■ | ■ |
| Lane Departure Warning & Prevention | ■ | ■ | ■ | ■ |
| Lane Keep Assist | ■ | ■ | ■ | ■ |
| Rear Cross Traffic Alert & Braking | - | ■ | ■ | ■ |
| Traffic Jam Assist | ■ | ■ | ■ | ■ |
| Traffic Sign Recognition | ■ | ■ | ■ | ■ |
| Turn Assist | ■ | ■ | ■ | ■ |

| SAFETY & SECURITY | DL20 EXTENDED | DL20 DOUBLE | DL40 | V-CROSS |
|--|---------------|-------------|------|---------|
| Reversing Camera | ■ | ■ | ■ | ■ |
| Rear Parking Sensors | ■ | ■ | - | - |
| Front & Rear Parking Sensors | - | - | ■ | ■ |
| Rear Differential Lock | ■ | ■ | ■ | ■ |
| 4WD Shift On The Fly | ■ | ■ | ■ | ■ |
| Rough Terrain Mode | ■ | ■ | ■ | ■ |
| Speed-Sensitive Power Steering | ■ | ■ | ■ | ■ |
| Tyre Pressure Monitoring System | ■ | ■ | ■ | ■ |
| ESC (Electronic Stability Control) | ■ | ■ | ■ | ■ |
| Traction Control | ■ | ■ | ■ | ■ |
| Trailer Sway Control | ■ | ■ | ■ | ■ |
| ABS (Anti-Lock Braking System) | ■ | ■ | ■ | ■ |
| EBD (Electronic Brakeforce Distribution) | ■ | ■ | ■ | ■ |
| Brake Assist System | ■ | ■ | ■ | ■ |
| Hill Start Assist | ■ | ■ | ■ | ■ |
| Hill Descent Control | ■ | ■ | ■ | ■ |
| E-Call | ■ | ■ | ■ | ■ |
| Multi-Collision Brake | ■ | ■ | ■ | ■ |
| Security Etched Glass | ■ | ■ | ■ | ■ |
| Insurance Approved Immobiliser | ■ | ■ | ■ | ■ |
| Alarm with Deadlock | ■ | ■ | ■ | ■ |
| Front, Side, Curtain & Driver Knee SRS Airbags ⁵ | ■ | ■ | ■ | ■ |
| Centre SRS Airbag ⁵ | - | ■ | ■ | ■ |
| Passenger Airbag Deactivation Switch | ■ | ■ | ■ | ■ |
| Height Adjustable Front Seatbelts with Pretensioner & Load Limiter | ■ | ■ | ■ | ■ |
| 2 x Three-Point Rear Seatbelts (Side) | ■ | - | - | - |
| 3 x Three-Point Rear Seatbelts (Side & Centre) | - | ■ | ■ | ■ |
| ISOFIX Child Seat Anchors with Top Tether Anchors (2 x Rear Side) | - | ■ | ■ | ■ |
| Rear Door Child Locks | - | ■ | ■ | ■ |
| Seatbelt Reminder Indicator (All Seating Positions) | ■ | ■ | ■ | ■ |
| Door Open Warning Light | ■ | ■ | ■ | ■ |
| Stop & Start System ⁶ | ■ | ■ | ■ | ■ |

⁵SRS: Supplemental Restraint System. Must be used in conjunction with seatbelts. ⁶According to conditions, the Stop & Start system will automatically stop and restart the engine when the vehicle comes to a standstill to reduce fuel consumption and emissions.

VEHICLE SPECIFICATION

| ENGINE | DL20 EXT'D MANUAL | DL20 DEL MANUAL | DL20 DEL AUTO | DL40 DEL MANUAL | DL40 DEL AUTO | V-CROSS DEL MANUAL | V-CROSS DEL AUTO |
|------------------------------------|-------------------|-----------------|---------------|-----------------|---------------|--------------------|------------------|
| Engine Type | | | | RZ4E | | | |
| Fuel Type | | | | Diesel | | | |
| Arrangement Cylinders | | | | 4, In line | | | |
| Firing Order | | | | 1-3-4-2 | | | |
| Bore (mm) | | | | 80.0 | | | |
| Stroke (mm) | | | | 94.4 | | | |
| Compression | | | | 15.9 | | | |
| Engine Capacity (cm ³) | | | | 1898 | | | |
| Idle Speed | | | | 750+/- 25 | | | |
| Fuel Tank Capacity (Litres) | | | | 76 | | | |

| GEAR RATIOS | | | | | | | |
|-------------|-------|-------|-------|-------|-------|-------|-------|
| 1 | 4.942 | 4.942 | 3.600 | 4.942 | 3.600 | 4.942 | 3.600 |
| 2 | 2.452 | 2.452 | 2.090 | 2.452 | 2.090 | 2.452 | 2.090 |
| 3 | 1.428 | 1.428 | 1.488 | 1.428 | 1.488 | 1.428 | 1.488 |
| 4 | 1.000 | 1.000 | 1.000 | 1.000 | 1.000 | 1.000 | 1.000 |
| 5 | 0.749 | 0.749 | 0.687 | 0.749 | 0.687 | 0.749 | 0.687 |
| 6 | 0.634 | 0.634 | 0.580 | 0.634 | 0.580 | 0.634 | 0.580 |
| Reverse | 4.597 | 4.597 | 3.732 | 4.597 | 3.732 | 4.597 | 3.732 |
| Final Drive | 4.300 | 4.300 | 4.300 | 4.300 | 4.300 | 4.300 | 4.300 |

| PERFORMANCE | | | | | | | |
|----------------------------|-------------------|------|------|------|------|------|------|
| Net Power PS @ rpm | 163 @ 3600 | | | | | | |
| Torque Nm @ rpm | 360 @ 2000 - 2500 | | | | | | |
| Maximum Speed (mph) | 112 | | | | | | |
| Acceleration (0-62mph) sec | 12.7 | 12.7 | 13.0 | 12.7 | 13.0 | 12.7 | 13.0 |

| FUEL CONSUMPTION WLTP (MPG)* | | | | | | | |
|----------------------------------|---------|-------|-------|-------|-------|-------|-------|
| Low | 26.40 | 26.15 | 24.35 | 26.15 | 24.35 | 26.15 | 24.35 |
| Mid | 32.84 | 32.46 | 31.38 | 32.46 | 31.38 | 32.46 | 31.38 |
| High | 38.69 | 38.70 | 37.16 | 38.70 | 37.16 | 38.70 | 37.16 |
| Extra-High | 31.74 | 31.38 | 31.04 | 31.38 | 31.04 | 31.38 | 31.04 |
| Combined | 32.84 | 32.47 | 31.74 | 32.47 | 31.38 | 32.47 | 31.38 |
| CO ₂ Emissions (g/km) | 226 | 227 | 235 | 227 | 235 | 227 | 235 |
| Emissions Class | Euro 6D | | | | | | |

*MPG figures are EU test figures for comparative purposes and may not reflect real driving results. There is a new WLTP test used for fuel consumption and CO₂ figures. The fuel consumption and CO₂ emissions shown are based on the WLTP testing method. Only compare fuel consumption and CO₂ figures with other vehicles tested to the same technical standard. The fuel consumption you achieve in real life conditions and CO₂ produced will depend upon a number of factors including accessories fitted (post registration), variations in weather, driving styles and vehicle load etc. **Maximum payload capacity as defined by HM Revenue and Customs for VAT purposes. Payload is gross vehicle weight minus kerb weight. Kerb weights quoted are for vehicles with standard specification. Kerb weight and payload may be influenced by badge level, factory options and dealer fitted accessories. It is the responsibility of the vehicle operator to ensure their vehicle is legally compliant for road use.

VEHICLE DIMENSIONS

| DIMENSIONS (MM) | DL20 EXT'D MANUAL | DL20 DEL MANUAL | DL20 DEL AUTO | DL40 DEL MANUAL | DL40 DEL AUTO | V-CROSS DEL MANUAL | V-CROSS DEL AUTO |
|------------------------------|-------------------|-----------------|---------------|-----------------|---------------|--------------------|------------------|
| Length | 5280 | 5280 | 5280 | 5280 | 5280 | 5280 | 5280 |
| Width | 1870 | 1870 | 1870 | 1870 | 1870 | 1870 | 1870 |
| Height | 1790 | 1790 | 1790 | 1790 | 1790 | 1790 | 1790 |
| Front Overhang | 890 | 890 | 890 | 890 | 890 | 890 | 890 |
| Rear Overhang | 1250 | 1250 | 1250 | 1250 | 1250 | 1250 | 1250 |
| Wheelbase | 3125 | 3125 | 3125 | 3125 | 3125 | 3125 | 3125 |
| Track (Front & Rear) | 1570 | 1570 | 1570 | 1570 | 1570 | 1570 | 1570 |
| Ground Clearance (Rear Axle) | 230 | 230 | 230 | 230 | 230 | 230 | 230 |
| Approach Angle (Degrees) | 30.5 | 30.5 | 30.5 | 30.5 | 30.5 | 30.5 | 30.5 |
| Departure Angle (Degrees) | 24.2 | 24.2 | 24.2 | 24.2 | 24.2 | 24.2 | 24.2 |
| Ramp Angle (Degrees) | 22.9 | 22.9 | 22.9 | 22.9 | 22.9 | 22.9 | 22.9 |

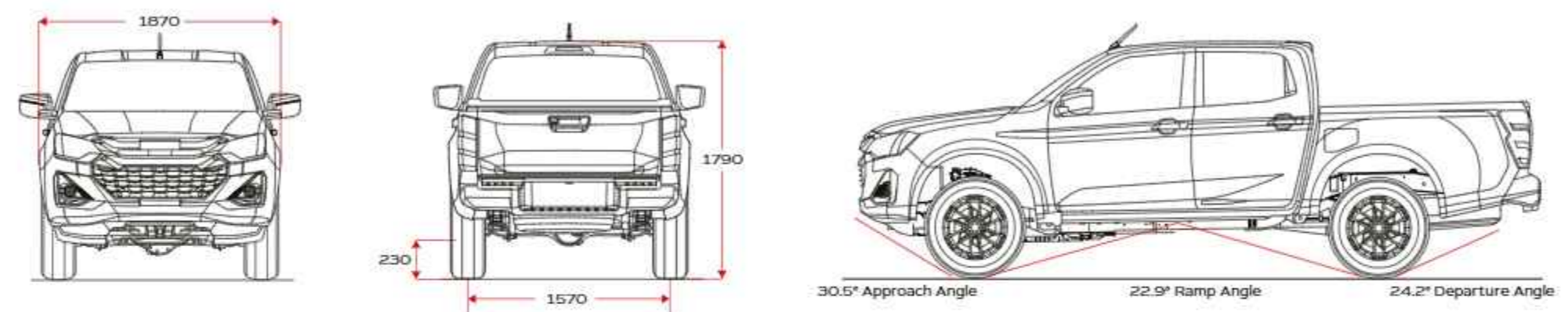
| LOAD BED (MM) | | | | | | | |
|---------------|------|------|------|------|------|------|------|
| Length | 1785 | 1520 | 1520 | 1520 | 1520 | 1520 | 1520 |
| Width | 1530 | 1530 | 1530 | 1530 | 1530 | 1530 | 1530 |
| Depth | 500 | 500 | 500 | 500 | 500 | 500 | 500 |

| WEIGHTS (KG) | | | | | | | |
|-------------------------|------|------|------|------|------|------|------|
| Kerb Weight | 1945 | 1995 | 2015 | 1995 | 2015 | 1995 | 2015 |
| Gross Vehicle Weight | 3100 | 3100 | 3100 | 3100 | 3100 | 3100 | 3100 |
| Payload ² | 1155 | 1105 | 1085 | 1105 | 1085 | 1105 | 1085 |
| Max Front Axle | 1450 | 1450 | 1450 | 1450 | 1450 | 1450 | 1450 |
| Max Rear Axle | 1910 | 1910 | 1910 | 1910 | 1910 | 1910 | 1910 |
| Trailer Weight Braked | 3500 | 3500 | 3500 | 3500 | 3500 | 3500 | 3500 |
| Trailer Weight Unbraked | 750 | 750 | 750 | 750 | 750 | 750 | 750 |
| Nose Weight | 245 | 245 | 245 | 245 | 245 | 245 | 245 |
| Gross Train Weight | 6000 | 6000 | 6000 | 6000 | 6000 | 6000 | 6000 |

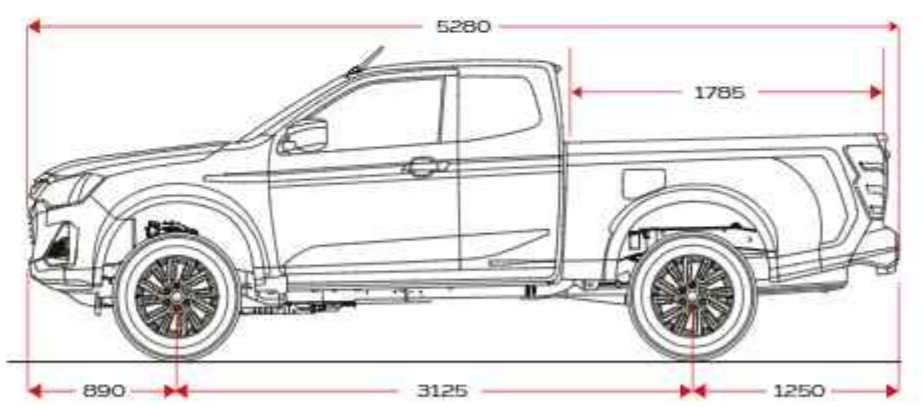
| WHEELS & TYRES | | | | | | | |
|----------------|-------------|-------------|-------------|-------------|-------------|-------------|-------------|
| Tyres | 265 / 60R18 | 265 / 60R18 | 265 / 60R18 | 265 / 60R18 | 265 / 60R18 | 265 / 60R18 | 265 / 60R18 |
| Wheels | 18x7.5 J | 18x7.5 J | 18x7.5 J | 18x7.5 J | 18x7.5 J | 18x7.5 J | 18x7.5 J |

| INSURANCE GROUP | | | | | | | |
|-----------------|-----|-----|-----|-----|-----|-----|-----|
| Group | 50D | 50D | 50D | 50D | 50D | 50D | 50D |

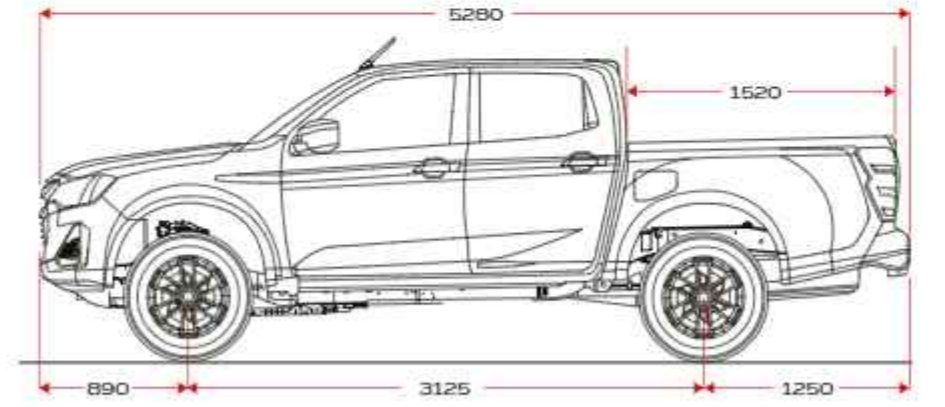
DL20 EXTENDED & DOUBLE CAB, DL40 & V-CROSS



DL20 EXTENDED CAB



DL20 DOUBLE CAB, DL40 & V-CROSS



COLOURS



SPLASH WHITE



MERCURY SILVER METALLIC



OBSIDIAN GREY MICA



ONYX BLACK MICA



SPINEL RED MICA
Available for DL40 & V-Cross only



BIARRITZ BLUE METALLIC
Available for DL40 & V-Cross only



SIENNA ORANGE NEW MICA
Available for V-Cross only



DOLOMITE WHITE PEARL
Available for V-Cross only

WHEELS



NEW DL20 New Design 18" Silver Alloy Wheels



NEW DL40 New Design 18" Two Tone Alloy Wheels



NEW V-CROSS New Design 18" Tough Style Matt Dark Grey Alloy Wheels

TRIM



NEW DL20 New High Grade Cloth Upholstery



NEW DL40 & V-CROSS Leather Upholstery*

*Leather and other materials.



DL20 DL40 V-CROSS

isuzu.co.uk

Isuzu (UK) LTD reserve the right to change specifications and equipment without notice. Features and specification may vary in appearance and/or availability. For full details please contact your local Isuzu dealer or visit isuzu.co.uk

 Isuzu (UK) Ltd a subsidiary of International Motors Limited.

Part No. IB561